

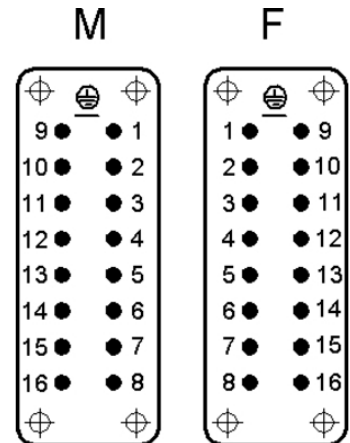
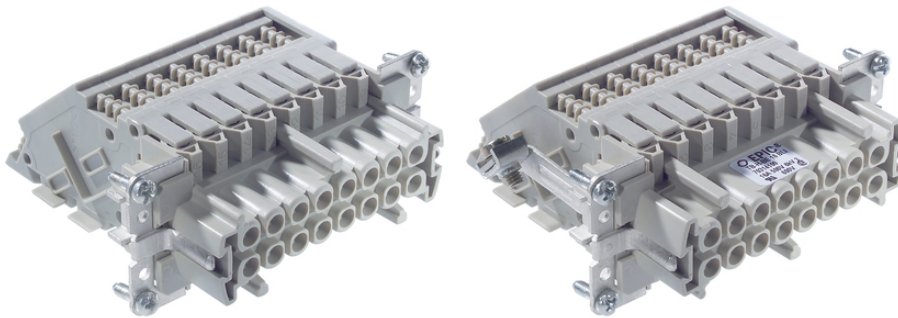
EPIC® TB-H-BE 16

For convenient, clear wiring in control cabinets.
 Assembly in panel-mount base housings.

The standard insert is ideal for use in control cabinets, has 16 contacts and can be used, for example, in investment construction.

Info

Plug connection for control cabinets



Benefits

Standard H-BE inserts for use with switch cabinets

Pluggable with H-BE male inserts in hoods

Fastening on side = "left" means that when mounting the terminal adapter on the left wall of a control cabinet, the PE connection and pin "1" are on the "top" side

Application range

Control cabinet manufacturing

Plant engineering

Technical Data

Classification ETIM 5:

ETIM 5.0 Class-ID: EC000438

ETIM 5.0 Class-Description: Contact insert for industrial connectors

Classification ETIM 6:

ETIM 6.0 Class-ID: EC000438

ETIM 6.0 Class-Description: Contact insert for industrial connectors

Rated voltage (V):

IEC: 500 VUL: 600 VCSA: 600 V

Rated impulse voltage:

6 kV

Rated current (A):

IEC: 16 A
 UL: 16 A
 CSA: 16 A

Pollution degree:

3

Last Update (10.12.2022)

©2022 Lapp Group - Technical changes reserved

Product Management www.lappkabel.de

You can find the current technical data in the corresponding data sheet.

PN 0456 / 02_03.16

EPIC® TB-H-BE 16

Contacts:	Copper alloy, hard silver-plated
Number of contacts:	16 + PE
Termination methods:	Screw termination: 0.5 - 4.0 mm ²
Stripping length (mm):	13
Cycle of mechanical operation:	200
VDE-tested:	UL-tested: UL File Number: E75770
Temperature range:	-40 °C to +100 °C, short-term up to +125 °C

Note

Prices are net prices without VAT and surcharges. Sale to business customers only.

EPIC® TB-H-BE 16

Article number	Article description	Contact type	Fastening on side	Number of operating contacts	Pieces / PU
16-pin terminal adapter					
70315100	TB-H-BE 16 BRE	female	right	1 - 16	10
70314100	TB-H-BE 16 BLI	female	left	1 - 16	10

Last Update (10.12.2022)

©2022 Lapp Group - Technical changes reserved

Product Management www.lappkabel.de

You can find the current technical data in the corresponding data sheet.

PN 0456 / 02_03.16

EPIC® TB-H-BE 16

