

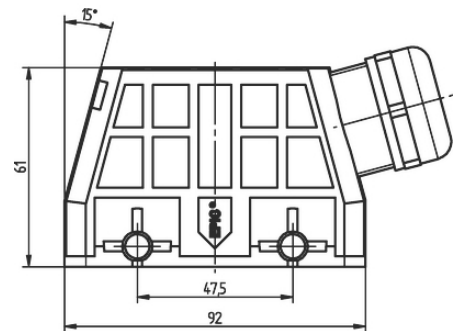
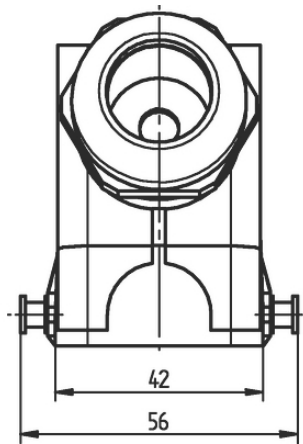
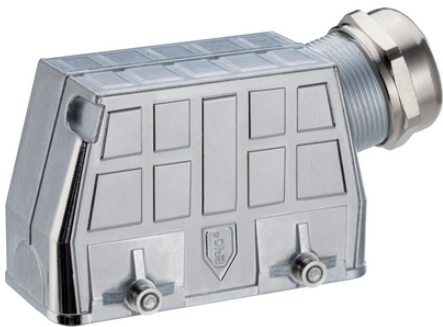
## EPIC® ULTRA H-B 16 TS QB

The robust and reliable industry connector housing as EMC version

EPIC® Rectangular connector housing EMC protection, corrosion resistant, UL50E, Nema250

### Info

EMC protection  
Corrosion-resistant  
Made in Germany



Good chemical resistance



Wide clamping range



Assembly time



Optimum strain relief



Robust



Connector with standard housing unit



Interference signals



Waterproof

### Benefits

Last Update (25.05.2023)

©2023 Lapp Group - Technical changes reserved

Product Management [www.lappkabel.de](http://www.lappkabel.de)

You can find the current technical data in the corresponding data sheet.

PN 0456 / 02\_03.16

## EPIC® ULTRA H-B 16 TS QB

Optimum, low-resistance 360° screening  
All-purpose due to high corrosion resistance and high environmental protection.  
Space-saving due to compact dimensions.  
Faster than any other comparable system  
High mechanical resistance

### Application range

Construction machinery  
In EMC-sensitive environments  
For fixed and flexible applications (e.g. machinery building, wind turbines)  
Electric motor manufacturing

### Product features

Housings with the BRUSH addition come with BRUSH cable screen contacting  
Pluggable with standard housings  
Corrosion-resistant according to DIN EN 6988  
Resistance to cyclic salt spray is tested according to IEC 68-2-52, severity level 2  
Salt spray testing according to DIN EN ISO 9227, method NSS, period of test 480 hours

### Technical Data

Classification ETIM 5:	ETIM 5.0 Class-ID: EC000437 ETIM 5.0 Class-Description: Housing for industrial connectors
Classification ETIM 6:	ETIM 6.0 Class-ID: EC000437 ETIM 6.0 Class-Description: Housing for industrial connectors
Material:	Housing: nickel-plated zinc die-casting Lever and bolts: stainless steel Sealing: NBR Cable gland Body: nickel-plated brass Insert: PA Seal: special elastomer
Protection rating:	IP 68 NEMA 250, UL50E: 12, 4, 4X (latched)
Temperature range:	-40°C to +100°C

### Note

Photographs and graphics are not to scale and do not represent detailed images of the respective products.  
Prices are net prices without VAT and surcharges. Sale to business customers only.

**EPIC® ULTRA H-B 16 TS QB**

Article number	Article description	Clamping range in mm	Minimum Ø above braiding (mm)	Pieces / PU
H-B housing: hood (side cable entry, bolts for double lever)				
70250214	ULTRA H-B 16 TS QB 7-15	7 - 15	-	1
70250264	ULTRA H-B 16 TS QB 7-15 BRUSH	7.0 - 15.0	6	1
70250215	ULTRA H-B 16 TS QB 11-21	11 - 21	-	1
70250216	ULTRA H-B 16 TS QB 11-21 BRUSH	11 - 21	6	1

Last Update (25.05.2023)

©2023 Lapp Group - Technical changes reserved

Product Management [www.lappkabel.de](http://www.lappkabel.de)

You can find the current technical data in the corresponding data sheet.  
PN 0456 / 02\_03\_16