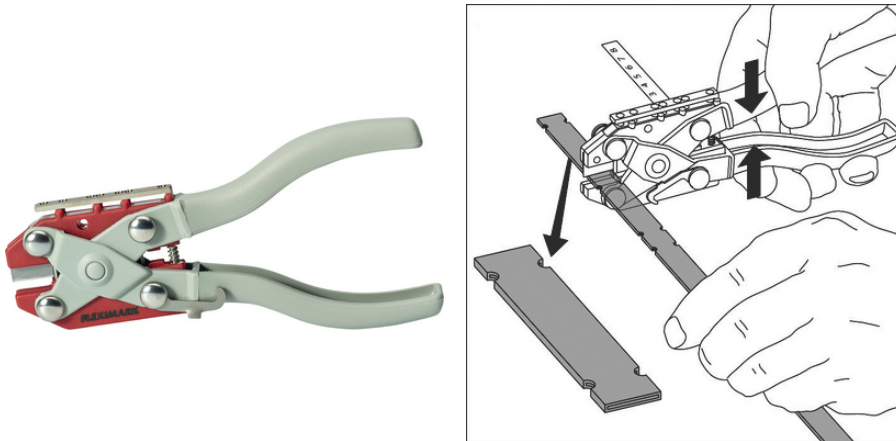


FLEXIMARK® Pliers FL52ERA



Benefits

- Creating a centred hole
- Punching device creates accurate hole-punches for cable ties with 2.5mm width
- Can also be used as a knife for shortening character holders
- Lightweight model suitable for all hand sizes

Application range

Special hole pliers for character-holders PTE and PGS with 6-12 mm width

Note

- Single parts (cutting and punching device) can be exchanged
- For characters with 19 mm width please use the tool FL 52 A (article no. 83252024)
- Further spare parts are available

Technical Data

Classification ETIM 5:

ETIM 5.0 Class-ID: EC002248

ETIM 5.0 Class-Description: Mounting for labelling material

Classification ETIM 6:

ETIM 6.0 Class-ID: EC002248

ETIM 6.0 Class-Description: Mounting for labelling material

Note

- Photographs and graphics are not to scale and do not represent detailed images of the respective products.
- Prices are net prices without VAT and surcharges. Sale to business customers only.
- FLEXIMARK® products are sold in packaging units. As example if you like to order 640 labels of LCK 32 you just need to order 1 PU instead of 640 single labels.



FLEXIMARK® Pliers FL52ERA

Article number	Article designation	Character holder	Contents (unit)
83252047	FLEXIMARK® Plier FL52ERA	6 / 9.5 / 12	1

Last Update (10.12.2022)

©2022 Lapp Group - Technical changes reserved

Product Management www.lappkabel.de

You can find the current technical data in the corresponding data sheet.

PN 0456 / 02_03.16