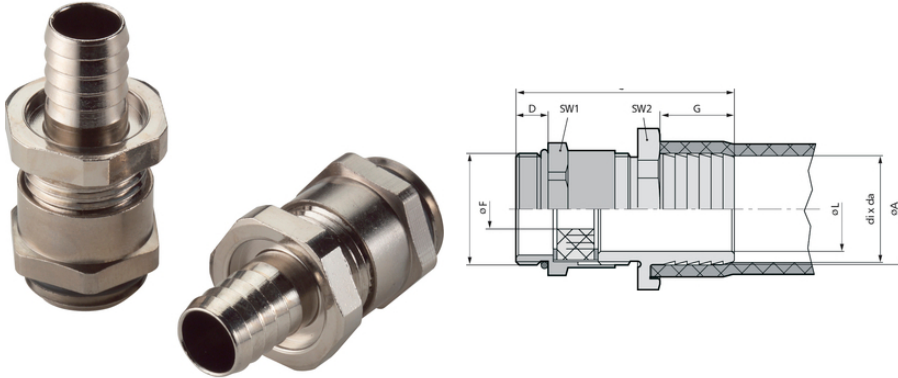


## SILVYN® SSVZ-M

SILVYN® SSVZ-M - nickel-plated brass metric threaded conduit fitting with cable strain relief



Optimum strain relief



Robust

### Benefits

Conduit gland with high tensile strength for plastic conduits  
High-tensile cable protection

### Application range

In combination with protective conduit:  
SILVYN® SI  
SILVYN® SP  
SILVYN® SP-PU

### Product features

High-tensile  
Robust  
Compact design  
Cable strain relief  
Cable sealing

### Product Make-up

Metric connection thread  
Integrated cable gland  
Conduit entry with special grip profile

### Note

Necessary conduit clamp SILVYN® SCH  
PG threaded versions are to be found in the online catalogue

Last Update (14.09.2020)

©2020 Lapp Group - Technical changes reserved

Product Management [www.lappkabel.de](http://www.lappkabel.de)

You can find the current technical data in the corresponding data sheet.

PN 0456 / 02\_03.16

**SILVYN® SSVZ-M****Technical Data**

Classification ETIM 5:	ETIM 5.0 Class-ID: EC001180 ETIM 5.0 Class-Description: Screw connection for protective metallic hose
Classification ETIM 6:	ETIM 6.0 Class-ID: EC001180 ETIM 6.0 Class-Description: Screw connection for protective metallic hose
Material:	Body: nickel-plated brass Incised sealing ring: CR O-ring: NBR
Temperature range:	-20°C to +80°C

**Note**

Photographs and graphics are not to scale and do not represent detailed images of the respective products.  
Prices are net prices without VAT and surcharges. Sale to business customers only.

**SILVYN® SSVZ-M**

Article number	Metric size	Clamping range in mm	SW 1/2 mm	Overall length mm	Thread length mm	Clear opening (mm)	Suitable for SILVYN® SCH	Suitable for SILVYN® SI	Suitable for SILVYN® SP	Suitable for SILVYN® SP-PU	Pieces / PU
SILVYN® SSVZ-M											
55501850	16 x 1.5/1	5.0 - 8.0	19.0 / 18.0	39	5	8	10 - 16 S	-	10 x 14	10 x 14	50
55501860	16 x 1.5/2	5.0 - 8.0	19.0 / 18.0	39	5	10	12 - 20 S	-	12 x 16	12 x 16	50
55501870	20 x 1.5/1	7.0 - 12.5	22.0 / 22.0	39.6	6	12	16 - 25 S	14 x 18	14 x 18	14 x 18	50
55501880	20 x 1.5/2	7.0 - 12.5	22.0 / 22.0	39.6	6	12.5	16 - 25 S	-	16 x 20	16 x 20	50
55501890	20 x 1.5/3	7.0 - 16.0	25.0 / 22.0	43	6	15.5	20 - 32 S	18 x 22	-	-	50
55501900	20 x 1.5/4	8.0 - 16.0	30.0 / 24.0	44	6	16	20 - 32 S	-	22 x 27	22 x 27	25
55501910	25 x 1.5	11.0 - 20.0	32.0 / 30.0	48	7	20	20 - 32 S	23 x 28	-	-	25
55501920	32 x 1.5/1	18.0 - 31.0	40.0 / 40.0	53.6	8	27	25 - 40 S	-	30 x 36	30 x 36	25
55501930	32 x 1.5/2	18.0 - 31.0	42.0 / 40.0	53.6	8	30	35 - 50 S	32 x 38	-	-	25
55501940	40 x 1.5	24.0 - 35.0	52.0 / 50.0	61.6	8	34	35 - 50 S	-	38 x 44	38 x 44	10
55501950	50 x 1.5	30.0 - 42.5	57.0 / 57.0	68.6	9	41	40 - 60 S	-	45 x 51	-	5

Last Update (14.09.2020)

©2020 Lapp Group - Technical changes reserved

 Product Management [www.lappkabel.de](http://www.lappkabel.de)

 You can find the current technical data in the corresponding data sheet.  
 PN 0456 / 02\_03.16