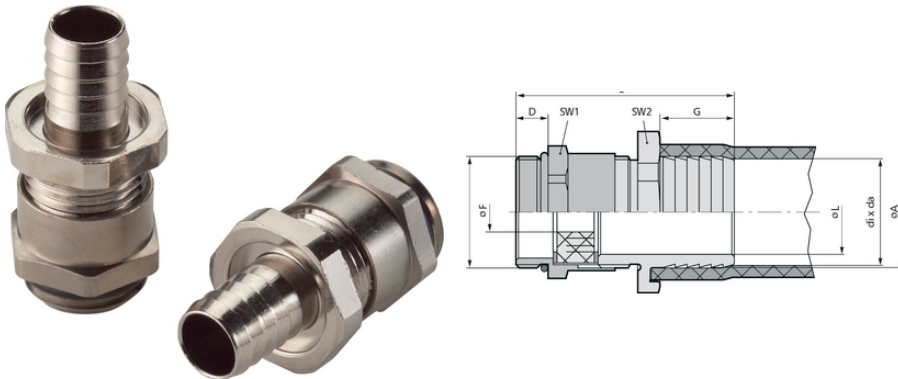


SILVYN® SSVZ

SILVYN® SSVZ - nickel-plated brass PG threaded conduit fitting with cable strain relief



Optimum strain relief



Robust

Benefits

Conduit gland with high tensile strength for plastic conduits
High-tensile cable protection

Application range

In combination with protective conduit:

SILVYN® SI

SILVYN® SP

SILVYN® SP-PU

Product features

High-tensile

Robust

Compact design

Cable strain relief

Cable sealing

Product Make-up

PG connection thread

Integrated cable gland

Conduit entry with special grip profile

Note

Necessary conduit clamp SILVYN® SCH

Technical Data

Classification ETIM 5:

ETIM 5.0 Class-ID: EC001180

ETIM 5.0 Class-Description: Screw connection for protective

Last Update (05.09.2020)

©2020 Lapp Group - Technical changes reserved

Product Management www.lappkabel.de

You can find the current technical data in the corresponding data sheet.

PN 0456 / 02_03.16

SILVYN® SSVZ

Classification ETIM 6:	metallic hose ETIM 6.0 Class-ID: EC001180 ETIM 6.0 Class-Description: Screw connection for protective metallic hose
Material:	Body: nickel-plated brass Incised sealing ring: CR O-ring: NBR
Temperature range:	-20°C to +80°C

Note

Photographs and graphics are not to scale and do not represent detailed images of the respective products.
Prices are net prices without VAT and surcharges. Sale to business customers only.

SILVYN® SSVZ

Article number	PG size	SW 1/2 mm	Overall length mm	Thread length mm	Clear opening (mm)	Suitable for SILVYN® SCH	Suitable for SILVYN® SI	Suitable for SILVYN® SP	Suitable for SILVYN® SP-PU	Pieces / PU
SILVYN® SSVZ										
52021070	9	19.0 / 17.0	39.1	6	8	10 - 16 S	-	10 x 14	10 x 14	50
52021080	9	19.0 / 17.0	39.1	6	10	12 - 20 S	-	12 x 16	12 x 16	50
52003020	11	22.0 / 20.0	39.6	6	12	16 - 25 S	-	14 x 18	14 x 18	50
52024670	11	22.0 / 20.0	39.6	6	14	16 - 25 S	-	16 x 20	16 x 20	50
52003030	13.5	25.0 / 22.0	43.1	6.5	15.5	20 - 32 S	18 x 22	-	-	50
52003040	16	30.0 / 24.0	44.1	6.5	19	20 - 32 S	-	22 x 27	22 x 27	25
52003050	21	32.0 / 30.0	48.1	7	21	20 - 32 S	23 x 28	-	-	25
52003060	29	40.0 / 40.0	53.6	8	27	25 - 40 S	-	30 x 36	30 x 36	25
52024680	29	42.0 / 40.0	53.6	8	30	35 - 50 S	32 x 38	-	-	25

Last Update (05.09.2020)

©2020 Lapp Group - Technical changes reserved

Product Management www.lappkabel.de

 You can find the current technical data in the corresponding data sheet.
 PN 0456 / 02_03.16