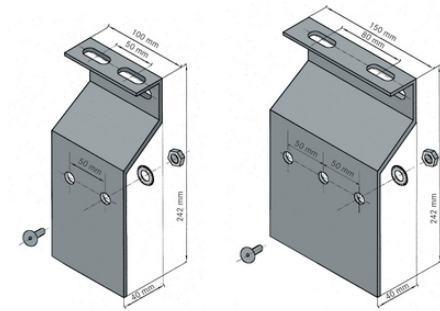


MP 11/13/12/14 installation sheets

MP 11/13/12/14 installation sheets for all round and large flat cables wedges



Application range

Installation sheets

Installation sheet for all-round and large flat cable wedges (primed)

Included

2 or 3 hexagonal nuts
2 or 3 countersunk screws
2 or 3 serrated lock washers
1 mounting plate

Technical Data

Classification ETIM 5:

ETIM 5.0 Class-ID: EC002407

ETIM 5.0 Class-Description: Accessories for installation rail
current/data cable

Classification ETIM 6:

ETIM 6.0 Class-ID: EC002407

ETIM 6.0 Class-Description: Accessories for installation rail
current/data cable

Note

RKK = round cable wedge clamp; FKK = flat cable wedge clamp

Photographs and graphics are not to scale and do not represent detailed images of the respective products.

Prices are net prices without VAT and surcharges. Sale to business customers only.

MP 11/13/12/14 installation sheets

Article number	Article designation	Number of terminals and types	Pieces / PU
52026031	MP 11	1-2 RKK (01-06)	1
52026032	MP 13	1-2 RKK (01-06) or 1 FKK (07)	1
52026033	MP 12	1-3 RKK (01-06)	1
52026034	MP 14	1-3 RKK (01-06) or 1 FKK (07) and 1 RKK (01-06)	1

Last Update (29.04.2024)

©2024 Lapp Group - Technical changes reserved

Product Management www.lappkabel.de

You can find the current technical data in the corresponding data sheet.

PN 0456 / 02_03_16