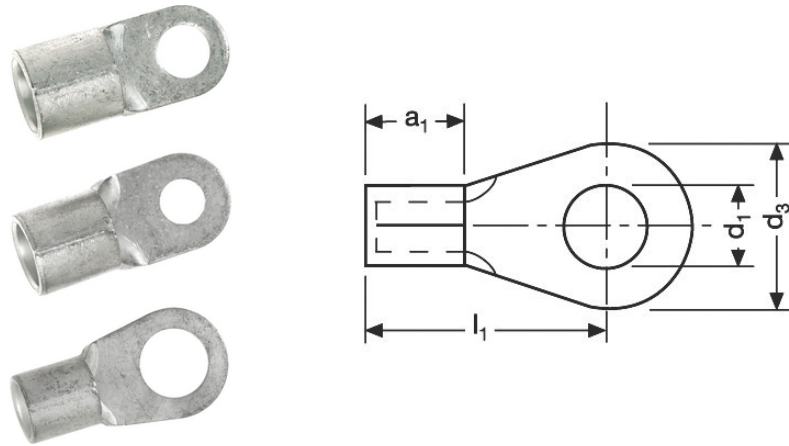


Solderless cable lugs KB

Uninsulated cable lugs/solderless terminals according to DIN 46234, high-quality electrolytic copper for good conductivity, least resistance



Benefits

For first-class connection with simple operating principle
Thus providing the best electrical conductivity (least resistance)

Application range

For cables with category 2,5 and 6 conductors
Manufacturing of control cabinets and equipment
Trains and buses

Norm references / Approvals

In accordance with VG 88710
Coil form DIN 46234 (versions mit * are not according to DIN 46234)

Technical Data

Classification ETIM 5:

ETIM 5.0 Class-ID: EC001052

ETIM 5.0 Class-Description: Solderless copper terminals for copper conductors

Classification ETIM 6:

ETIM 6.0 Class-ID: EC001052

ETIM 6.0 Class-Description: Solderless copper terminals for copper conductors

Note:

s = thickness of material

Material:

High-quality electrolytic copper for good conductivity

Temperature range:

Temperature range up to +120°C

Note

* Trade product, no Lapp product

Photographs and graphics are not to scale and do not represent detailed images of the respective products.

Prices are net prices without VAT and surcharges. Sale to business customers only.

Solderless cable lugs KB

Article number	Article designation	For mm ²	UL certification	d1	d3	l1	a1	Suitable crimp insert	Pieces / PU
63204015	KB1-2,5R DIN 46234	0.5 - 1.5	no	2.7	6	11	5	PEW 12.1071	100
63204025	KB1-3R DIN 46234	0.5 - 1.5	no	3.2	6	11	5	PEW 12.1071	100
63204035	KB1-3,5R DIN 46234	0.5 - 1.5	no	3.7	6	11	5	PEW 12.1071	100
63204045	KB1-4R DIN 46234	0.5 - 1.5	no	4.3	8	12	5	PEW 12.1071	100
63204055	KB1-5R DIN 46234	0.5 - 1.5	no	5.3	10	13	5	PEW 12.1071	100
63204065	KB1-6R*	0.5 - 1.5	no	6.5	11	14	5	PEW 12.1071	100
63204075	KB1-8R*	0.5 - 1.5	no	8.4	14	17	5	PEW 12.1071	100
63204085	KB1-10R*	0.5 - 1.5	no	10.5	18	19	5	PEW 12.1071	100
63204095	KB2,5-3R DIN 46234	1.5 - 2.5	no	3.2	6	11	5	PEW 12.1071	100
63204105	KB2,5-3,5R DIN 46234	1.5 - 2.5	no	3.7	6	11	5	PEW 12.1071	100
63204115	KB2,5-4R DIN 46234	1.5 - 2.5	no	4.3	8	12	5	PEW 12.1071	100
63204125	KB2,5-5R*	1.5 - 2.5	no	5.3	10.1	14	5	PEW 12.1071	100
63204135	KB2,5-6R DIN 46234	1.5 - 2.5	no	6.5	11	16	5	PEW 12.1071	100
63204145	KB2,5-8R DIN 46234	1.5 - 2.5	no	8.4	14	17	5	PEW 12.1071	100
63204155	KB2,5-10R*	1.5 - 2.5	no	10.5	18	19	5	PEW 12.1071	100
63204165	KB2,5-12R*	1.5 - 2.5	no	13	19.8	15	5	PEW 12.1071	100
63204175	KB6-4R*	2.5 - 6	no	4.3	8	14	6	PEW 12.1071	100
63204185	KB6-5R*	2.5 - 6	no	5.3	10.1	15	6	PEW 12.1071	100
63204195	KB6-6R*	2.5 - 6	no	6.5	11.1	16	6	PEW 12.1071	100
63204205	KB6-8R*	2.5 - 6	no	8.4	14.1	19	6	PEW 12.1071	100
63204215	KB6-10R DIN 46234	2.5 - 6	no	10.5	18	21	6	PEW 12.1071	100
63204225	KB6-12R*	2.5 - 6	no	13	19	23	6	PEW 12.1071	100
63204235	KB10-5R DIN 46234	10	no	5.3	10	16	8	PEW 12.1071	100
63204245	KB10-6R DIN 46234	10	no	6.5	11	17	8	PEW 12.1071	100

Last Update (24.04.2024)

©2024 Lapp Group - Technical changes reserved

Product Management www.lappkabel.de

You can find the current technical data in the corresponding data sheet.

PN 0456 / 02_03_16

Solderless cable lugs KB

Article number	Article designation	For mm ²	UL certification	d1	d3	l1	a1	Suitable crimp insert	Pieces / PU
63204255	KB10-8R DIN 46234	10	no	8.4	14	20	8	PEW 12.1071	100
63204265	KB10-10R DIN 46234	10	no	10.5	18	21	8	PEW 12.1071	100
63204275	KB10-12R DIN 46234	10	no	13	22	23	8	PEW 12.1071	100
63204285	KB16-5R DIN 46234	16	no	5.3	11	20	10	PEW 12.033	100
63204295	KB16-6R DIN 46234	16	no	6.5	11	20	10	PEW 12.033	100
63204305	KB16-8R DIN 46234	16	no	8.4	14	22	10	PEW 12.033	100
63204315	KB16-10R DIN 46234	16	no	10.5	18	24	10	PEW 12.033	100
63204325	KB16-12R DIN 46234	16	no	13	22	26	10	PEW 12.033	100
63204335	KB25-5R DIN 46234	25	no	5.3	12	25	11	PEW 12.033	100
63204345	KB25-6R DIN 46234	25	no	6.5	12	25	11	PEW 12.033	100
63204355	KB25-8R DIN 46234	25	no	8.4	16	25	11	PEW 12.033	100
63204365	KB25-10R DIN 46234	25	no	10.5	18	26	11	PEW 12.033	100
63204375	KB25-12R DIN 46234	25	no	13	22	31	11	PEW 12.033	100
63204385	KB25-16R DIN 46234	25	no	17	28	35	11	PEW 12.033	100
63204395	KB35-6R DIN 46234	35	no	6.5	15	26	12	-	100
63204405	KB35-8R DIN 46234	35	no	8.4	16	26	12	-	100
63204415	KB35-10R DIN 46234	35	no	10.5	18	27	12	-	100
63204425	KB35-12R DIN 46234	35	no	13	22	31	12	-	100
63204445	KB50-6R DIN 46234	50	no	6.5	18	34	16	-	100
63204455	KB50-8R DIN 46234	50	no	8.4	18	34	16	-	100

Last Update (24.04.2024)

©2024 Lapp Group - Technical changes reserved

Product Management www.lappkabel.de

You can find the current technical data in the corresponding data sheet.

PN 0456 / 02_03_16

Solderless cable lugs KB

Article number	Article designation	For mm ²	UL certification	d1	d3	l1	a1	Suitable crimp insert	Pieces / PU
63204465	KB50-10R DIN 46234	50	no	10.5	18	34	16	-	100
63204475	KB50-12R DIN 46234	50	no	13	22	36	16	-	100
63204485	KB50-16R DIN 46234	50	no	17	28	40	16	-	100
63204495	KB70-6R DIN 46234	70	no	6.5	22	38	18	-	100
63204505	KB70-8R DIN 46234	70	no	8.4	22	38	18	-	100
63204515	KB70-10R DIN 46234	70	no	10.5	22	38	18	-	100
63204525	KB70-12R DIN 46234	70	no	13	22	38	18	-	100
63204535	KB70-16R DIN 46234	70	no	17	28	42	18	-	100
63204545	KB95-8R DIN 46234	95	no	8.4	24	42	20	-	50
63204555	KB95-10R DIN 46234	95	no	10.5	24	42	20	-	50
63204565	KB95-12R DIN 46234	95	no	13	24	42	20	-	50
63204575	KB95-16R DIN 46234	95	no	17	28	44	20	-	50
63204585	KB120-8R DIN 46234	120	no	8.4	24	44	22	-	25
63204595	KB120-10R DIN 46234	120	no	10.5	24	44	22	-	25
63204605	KB120-12R DIN 46234	120	no	13	24	44	22	-	25
63204615	KB120-16R*	120	no	17	28	44	22	-	25
63204625	KB150-10R DIN 46234	150	no	10.5	30	50	24	-	25
63204635	KB150-12R DIN 46234	150	no	13	30	50	24	-	25
63204645	KB150-16R DIN 46234	150	no	17	30	50	24	-	25
63204655	KB185-10R DIN 46234	185	no	10.5	36	50	28	-	20
63204665	KB185-12R DIN	185	no	13	36	50	28	-	20

Last Update (24.04.2024)

©2024 Lapp Group - Technical changes reserved

Product Management www.lappkabel.de

You can find the current technical data in the corresponding data sheet.

PN 0456 / 02_03_16

Solderless cable lugs KB

Article number	Article designation	For mm ²	UL certification	d1	d3	l1	a1	Suitable crimp insert	Pieces / PU
	46234								
63204675	KB185-16R DIN 46234	185	no	17	36	50	28	-	20
63204685	KB240-10R DIN 46234	240	no	10.5	38	56	32	-	10
63204695	KB240-12R DIN 46234	240	no	13	38	56	32	-	10
63204705	KB240-16R DIN 46234	240	no	17	38	56	32	-	10

Last Update (24.04.2024)

©2024 Lapp Group - Technical changes reserved

Product Management www.lappkabel.deYou can find the current technical data in the corresponding data sheet.
PN 0456 / 02_03_16