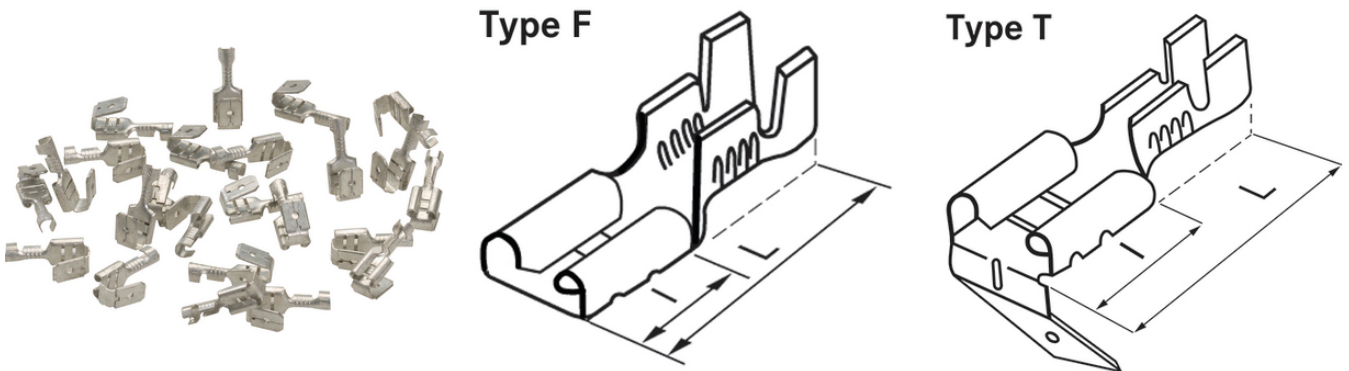


Panel connectors non-insulated

Non-insulated panel connectors made of brass (male, female, type T)



Benefits

For electrical connection of different components
Maximum corrosion protection due to electrolytically tinned brass

Note

The choice of the correct tool is depending on the cross-section of the conductor and on the blade connection

Technical Data

Classification ETIM 5:	ETIM 5.0 Class-ID: EC000516 ETIM 5.0 Class-Description: Round plug/flat receptacle
Classification ETIM 6:	ETIM 6.0 Class-ID: EC000516 ETIM 6.0 Class-Description: Round or flat plug/receptacle
Material:	Brass tin-plated
Temperature range:	Temperature range up to +90°C

Note

Photographs and graphics are not to scale and do not represent detailed images of the respective products.
Prices are net prices without VAT and surcharges. Sale to business customers only.

Panel connectors non-insulated

Article number	Article designation	For mm ²	UL certification	Blade connection	I	L	Suitable crimp insert	Pieces / PU
Blade receptacle according to DIN 46247								
63501060	L-BA 285 F	0.5 - 1	no	2.8 x 0.5	6	14	PEW 12.045	100
63501070	L-BA 288 F	0.5 - 1	no	2.8 x 0.8	5	12.7	PEW 12.045	100
63501080	L-BA 485 F	0.75 - 1.5	no	4.8 x 0.5	6.4	16	PEW 12.838	100
63501090	L-BA 488 F	0.75 - 1.5	no	4.8 x 0.8	6.4	16	PEW 12.838	100
63501120	L-BA 638 F	0.75 - 1.5	no	6.3 x 0.8	7.6	19	PEW 12.050	100
63501130	L-BB 638 F	1.5 - 2.5	no	6.3 x 0.8	7.6	19	PEW 12.050	100
63501140	L-BC 638 F	4 - 6	no	6.3 x 0.8	7.6	19	PEW 12.050	100
Blade receptacle with branching								
63501150	L-BA 638 T	0.5 - 1.5	no	6.3 x 0.8	8	20	PEW 12.050	100
Panel connectors (Plugs)								
63501071	L-BA 288 M	0.5 - 1	no	2.8 x 0.8	5.5	13	PEW 12.045	100
63501520	L-BA 638 M	0.5 - 1	no	6.3 x 0.8	8	19	PEW 12.050	100
63501530	L-BB 638 M	1.5 - 2.5	no	6.3 x 0.8	8	19	PEW 12.050	100

Last Update (23.12.2024)

©2024 Lapp Group - Technical changes reserved

 Product Management www.lappkabel.de

 You can find the current technical data in the corresponding data sheet.
 PN 0456 / 02_03_16

Panel connectors non-insulated

Type M

